

General Purpose RFI Power Line Filters



AMI-M11J/11K/11L/11M Series
Metal Enclosure Single Phase Single Stage Filters

AMI Designation	Input/output Style				Current Rating	Inductance mH	Capacitance		Resistor K Ω	Leakage Current @ 120 VAC 60Hz/250 VAC 50 Hz	TIL Insertion Loss	Case Style
	6.3mm Spade Terminals	Wire Leads	Threaded Bolts	IEC			Cx nF	Cy pF				
AMI-M11J-1-1-B-1	1	-	-	-	1	1.86	200	5500	1500	0.5/1.0	005	A
AMI-M11J-1-1-B-2	1	-	-	-	1	1.86	200	2800	1500	0.21/0.36	001	A
AMI-M11J-3-1-B-1	-	3	-	-	1	1.86	200	5500	1500	0.5/1.0	005	C
AMI-M11J-3-1-B-2	-	3	-	-	1	1.86	200	2800	1500	0.21/0.36	001	C
AMI-M11J-1-2-B-1	1	-	-	-	2	0.539	200	5500	1500	0.5/1.0	006	A
AMI-M11J-1-2-B-2	1	-	-	-	2	0.539	200	2800	1500	0.21/0.36	002	A
AMI-M11J-3-2-B-1	-	3	-	-	2	0.539	200	5500	1500	0.5/1.0	006	C
AMI-M11J-3-2-B-2	-	3	-	-	2	0.539	200	2800	1500	0.21/0.36	002	C
AMI-M11J-1-3-B-1	1	-	-	-	3	1.76	200	5500	1500	0.5/1.0	007	A
AMI-M11J-1-3-B-2	1	-	-	-	3	1.76	200	2800	1500	0.21/0.36	001	A
AMI-M11J-3-3-B-1	-	3	-	-	3	1.76	200	5500	1500	0.5/1.0	007	C
AMI-M11J-3-3-B-2	-	3	-	-	3	1.76	200	2800	1500	0.21/0.36	001	C
AMI-M11K-7-3-B-1	-	-	-	7	3	1.76	200	5500	1500	0.5/1.0	007	H
AMI-M11K-7-3-B-2	-	-	-	7	3	1.76	200	2800	1500	0.21/0.36	001	H
AMI-M11K-7M-3-B-1	-	-	-	7	3	1.76	200	5500	1500	0.5/1.0	007	H
AMI-M11K-7M-3-B-2	-	-	-	7	3	1.76	200	2800	1500	0.21/0.36	001	H

General Purpose RFI Power Line Filters

AMI Designation	Input/output Style				Current Rating	Inductance mH	Capacitance		Resistor K Ω	Leakage Current @ 120 VAC 60Hz/250 VAC 50 Hz	TIL Insertion Loss	Case Style
	6.3mm Spade Terminals	Wire Leads	Threaded Bolts	IEC			Cx nF	Cy pF				
AMI-M11J-1-5-B-1	1	-	-	-	5	0.516	200	5500	1500	0.5/1.0	008	A
AMI-M11J-1-5-B-2	1	-	-	-	5	0.516	200	2800	1500	0.21/0.36	003	A
AMI-M11J-3-5-B-1	-	3	-	-	5	0.516	200	5500	1500	0.5/1.0	008	C
AMI-M11J-3-5-B-2	-	3	-	-	5	0.516	200	2800	1500	0.21/0.36	003	C
AMI-M11K-7-5-B-1	-	-	-	7	5	0.516	200	5500	1500	0.5/1.0	008	H
AMI-M11K-7-5-B-2	-	-	-	7	5	0.516	200	2800	1500	0.21/0.36	003	H
AMI-M11K-7M-5-B-1	-	-	-	7	5	0.516	200	5500	1500	0.5/1.0	008	H
AMI-M11K-7M-5-B-2	-	-	-	7	5	0.516	200	2800	1500	0.21/0.36	003	H
AMI-M11J-1-10-B-1	1	-	-	-	10	1.76	200	5500	1500	0.5/1.0	009	A
AMI-M11J-1-10-B-2	1	-	-	-	10	0.495	200	2800	1500	0.21/0.36	002	A
AMI-M11J-3-10-B-1	-	3	-	-	10	0.495	200	5500	1500	0.5/1.0	009	C
AMI-M11J-3-10-B-2	-	3	-	-	10	0.495	200	2800	1500	0.21/0.36	002	C
AMI-M11K-7-10-B-1	-	-	-	7	10	0.495	200	5500	1500	0.5/1.0	009	H
AMI-M11K-7-10-B-2	-	-	-	7	10	0.495	200	2800	1500	0.21/0.36	002	H
AMI-M11K-7M-10-B-1	-	-	-	7	10	0.495	200	5500	1500	0.5/1.0	009	H
AMI-M11K-7M-10-B-2	-	-	-	7	10	0.495	200	2800	1500	0.21/0.36	002	H

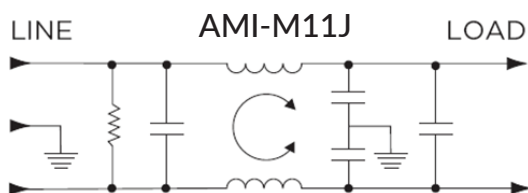
General Purpose RFI Power Line Filters

AMI Designation	Input/output Style				Current Rating	Inductance	Capacitance		Resistor	Leakage Current @ 120 VAC 60Hz/250 VAC 50 Hz	TIL Insertion Loss	Case Style
							Cx	Cy				
Available Part Numbers	6.3mm Spade Terminals	Wire Leads	Threaded Bolts	IEC		mH	nF	pF	K Ω			
AMI-M11J-1-20-B-1	1	-	-	-	20	0.44	200	5500	1500	0.5/1.0	010	B
AMI-M11J-1-20-B-2	1	-	-	-	20	0.44	200	2800	1500	0.21/0.36	004	B
AMI-M11J-6-10-B	-	-	6	-	10	0.495	200	5500	1500	0.5/1.0	009	D
AMI-M11J-6-20-B	-	-	6	-	20	0.44	200	5500	1500	0.5/1.0	010	E
AMI-M11K-7-20-B	-	-	-	7	20	0.44	200	5500	1500	0.5/1.0	010	I
AMI-M11J-6-30-B	-	-	6C	-	30	0.69	940	5500	235	0.5/1.0	011	F
AMI-M11L-6-30-B	-	-	6	-	30	0.69	940	5500	235	0.5/1.0	011	F
AMI-M11J-6-40-B	-	-	6	-	40	0.59	940	5500	235	0.5/1.0	012	F
AMI-M11L-6-40-B	-	-	6C	-	40	0.59	940	5500	235	0.5/1.0	012	F
AMI-M11M-6-60-B	-	-	6	-	60	0.37	940	5500	235	0.5/1.0	013	G

*(M) = Metric Inserts

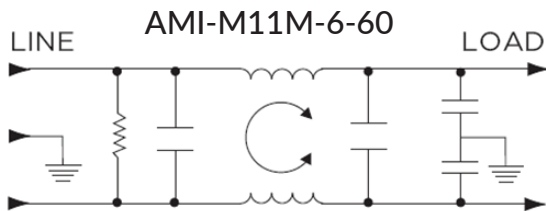
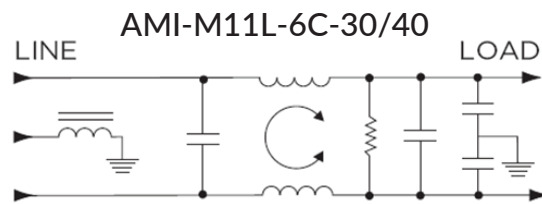
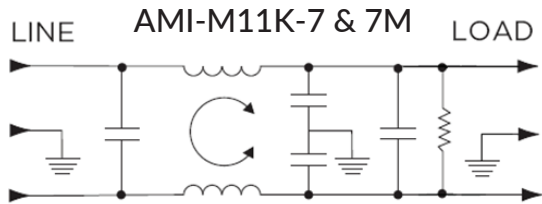
** (C) = Ground Choke

Electrical Schematic



General Purpose RFI Power Line Filters

Electrical Schematic



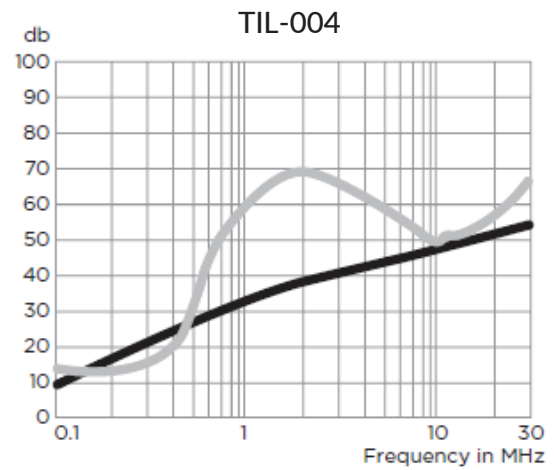
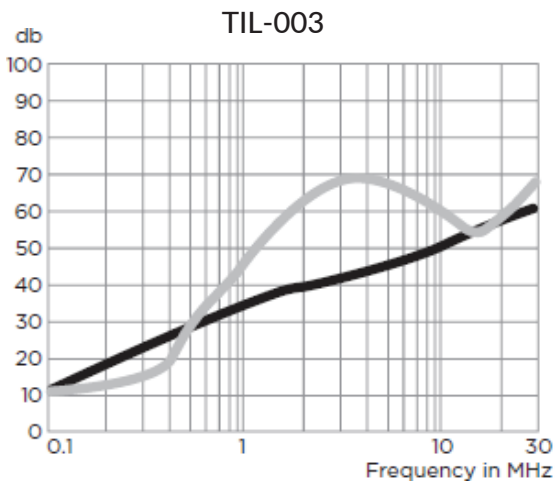
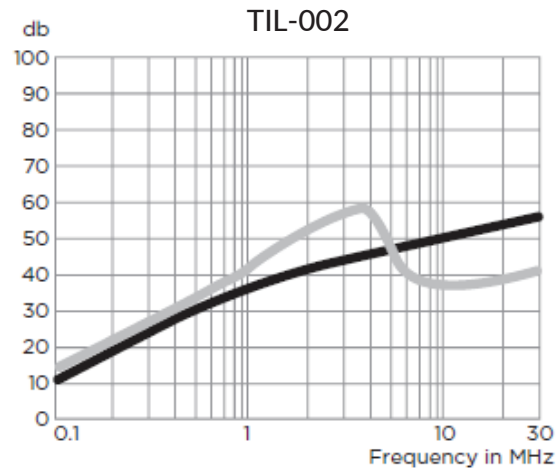
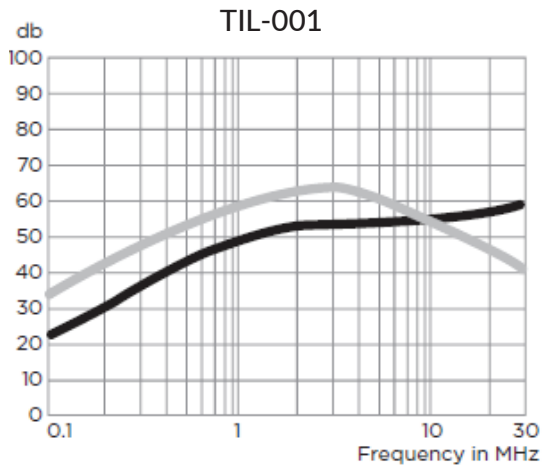
Specifications:

- Rated Voltage (max): 250 VAC
- Operating Frequency: 50/60 Hz
- Operating Current: 1 to 60 A
- Hi-pot Rating (one minute): Line to Ground: 2250 VDC
Line to Line: 1450 VDC
- Operating Ambient Temperature Range (at rated current I_r): -10°C to $+40^{\circ}\text{C}$. In an ambient temperature (T_a) higher than $+40^{\circ}\text{C}$ the maximum operating current (I_o) is calculated as follows: $I_o = I_r \sqrt{[(85 - T_a)/45]}$

General Purpose RFI Power Line Filters

Performance Data Typical Insertion Loss

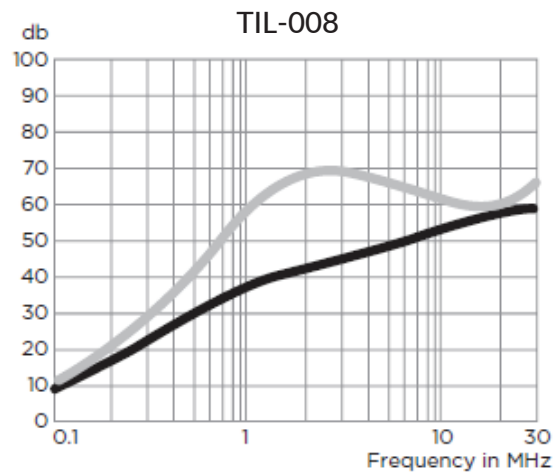
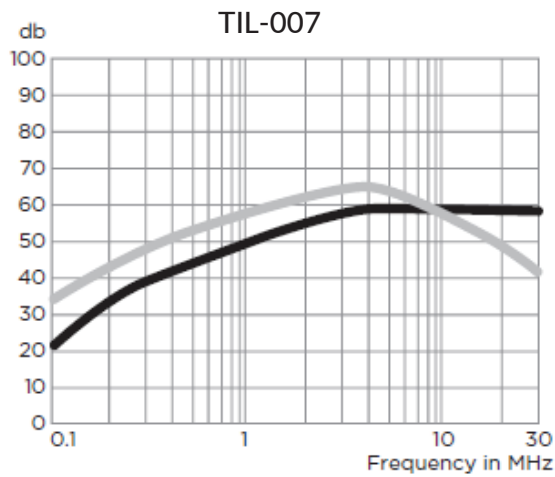
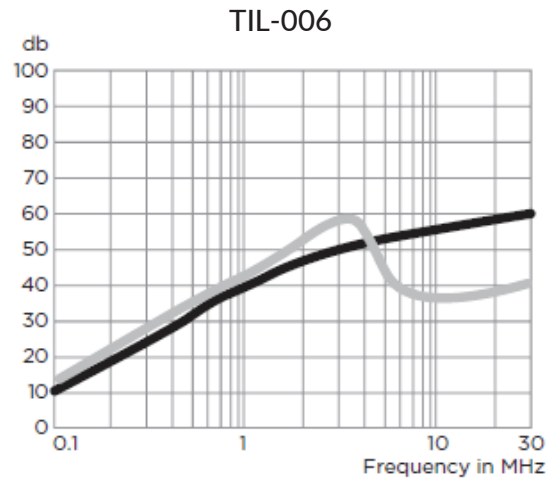
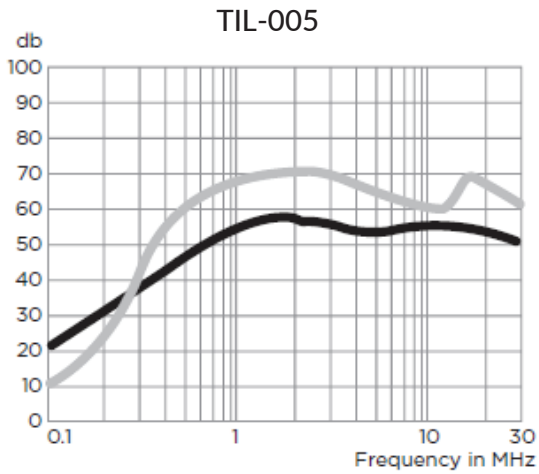
Measured in closed 50 Ohm system



General Purpose RFI Power Line Filters

Performance Data Typical Insertion Loss

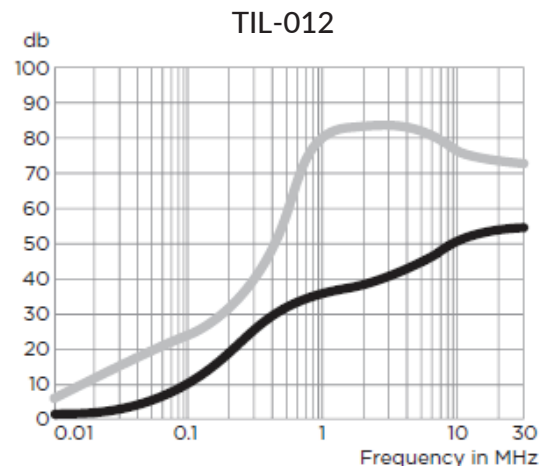
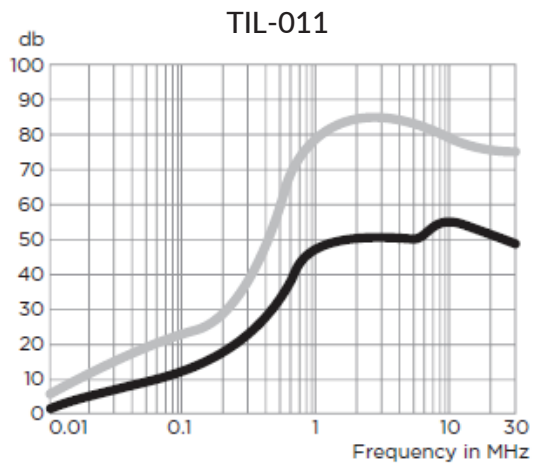
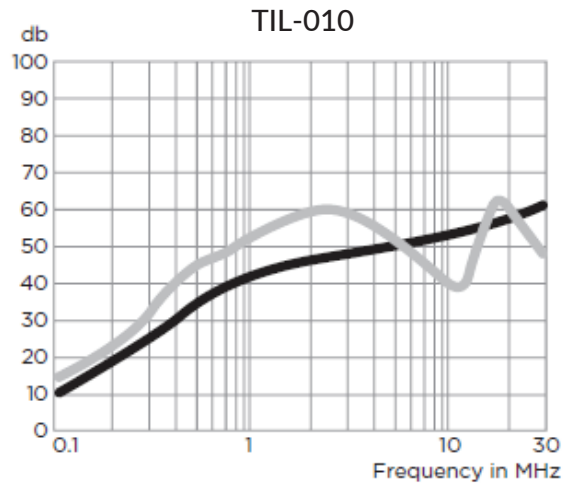
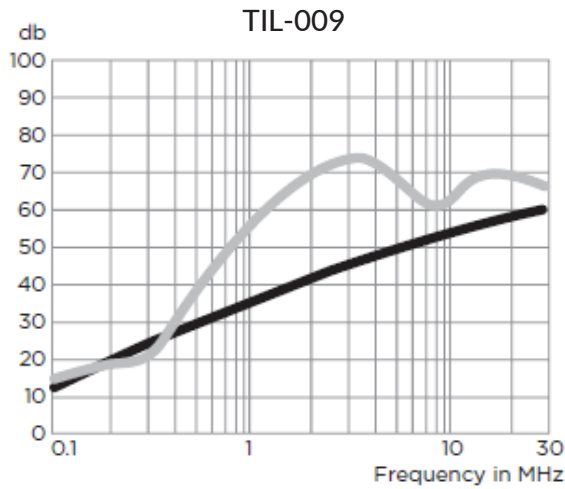
Measured in closed 50 Ohm system



General Purpose RFI Power Line Filters

Performance Data Typical Insertion Loss

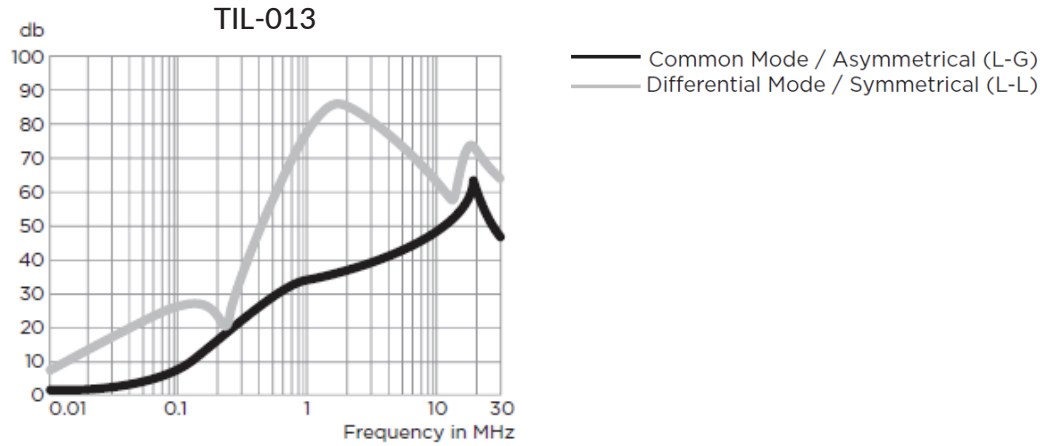
Measured in closed 50 Ohm system



General Purpose RFI Power Line Filters

Performance Data Typical Insertion Loss

Measured in closed 50 Ohm system



Minimum Insertion Loss

Common Mode/Asymmetrical (Line to Ground)

Current Rating	Frequency-MHz					
	.15	.5	1	5	10	30
<i>M11J/K/L/M F-X-X-B-1</i>						
1A, 3A	15	30	38	50	50	50
2A, 5A, 10A	6	19	28	42	45	50
20A	6	19	28	42	45	50
30A, 40A	6	19	28	42	45	50
60A	6	22	28	32	39	35
<i>M11J/K-X-X-B-2</i>						
1A, 3A	15	29	35	45	45	50
2A, 5A, 10A	8	19	25	38	40	45
20A	8	19	25	38	40	45

General Purpose RFI Power Line Filters

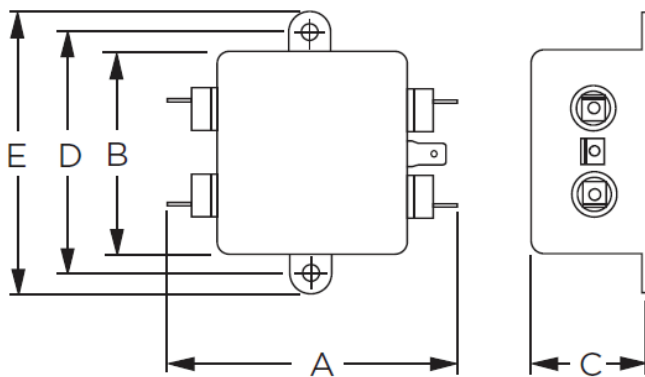
Minimum Insertion Loss

Differential Mode/Symmetrical (Line to Line)

Current Rating	Frequency-MHz					
	.15	.5	1	5	10	30
<i>M11J/K/L/M-X-X-B-1</i>						
1A, 3A	-	-	48	55	50	35
2A, 5A, 10A	-	-	30	50	30	30
20A	6	6	30	50	30	30
30A, 40A	2	40	60	65	57	55
60A	13	49	67	57	53	53
<i>M11J/K-X-X-B-2</i>						
1A, 3A	-	-	48	55	50	35
2A, 5A, 10A	-	-	30	50	30	30
20A	6	6	30	50	30	30

Case Styles

STYLE A



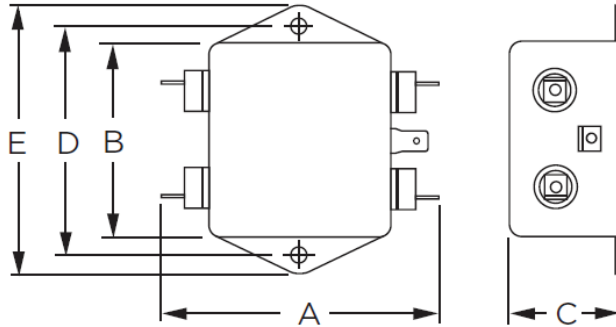
Typical Dimensions:

Line/Load Terminals (4): .250 [6.3] with .07 [1.8] Dia. hole
 Ground Terminal (1): .250 [6.3] with .07 x .16 [1.8 x 3.8] slot
 Mounting Holes (2): .188 [4.78] Dia.

General Purpose RFI Power Line Filters

Case Styles

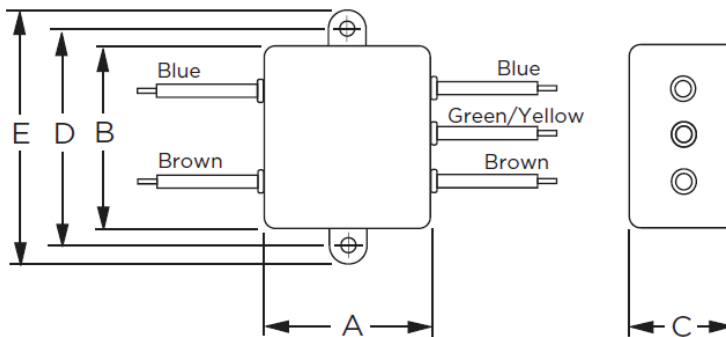
STYLE B



Typical Dimensions:

Line/Load Terminals (4):	.250 [6.3] with .07 [1.8] Dia. hole
Ground Terminal (1):	.250 [6.3] with .07 x .16 [1.8 x 3.8] slot
Mounting Holes (2):	.188 [4.78] Dia.

STYLE C



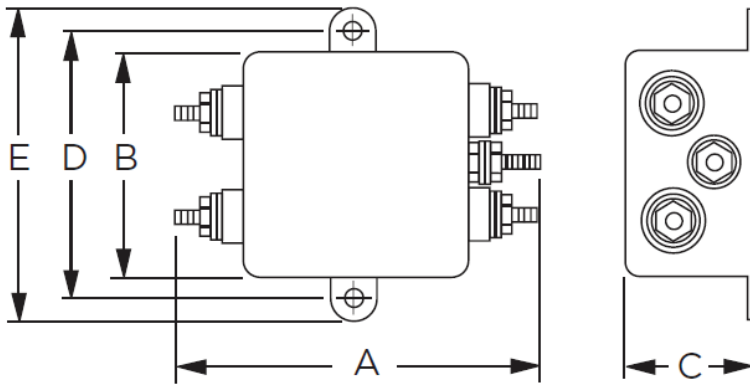
Typical Dimensions:

Wire Leads (5):	4.0 [101.6] Min., AWG18 (AWG16 for 10A)
Mounting Holes (2):	.188 [4.78] Dia.

General Purpose RFI Power Line Filters

Case Styles

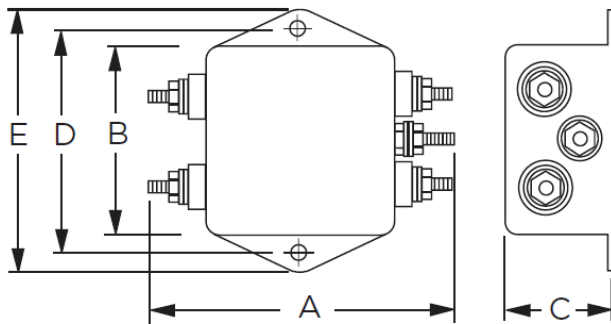
STYLE D



Typical Dimensions:

Terminals (5): 8-32, Torque 18 lbf-in. [2.03 N-m] max. ± 2 [.22]
Mounting Holes (2): .188 [4.78] Dia.

STYLE E



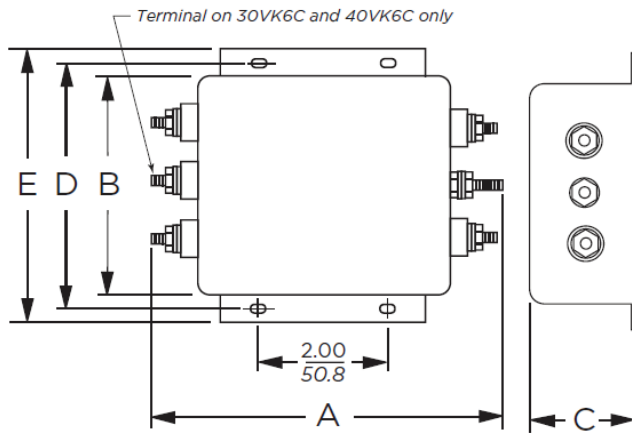
Typical Dimensions:

Terminals (5): 8-32, Torque 18 lbf-in. [2.03 N-m] max. ± 2 [.22]
Mounting Holes (2): .188 [4.78] Dia.

General Purpose RFI Power Line Filters

Case Styles

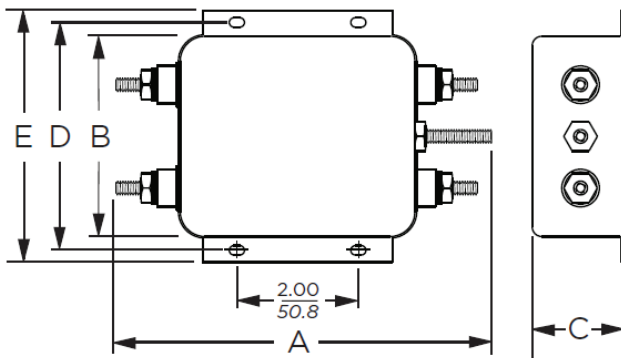
STYLE F



Typical Dimensions:

Terminals (5): 8-32, Torque 18 lbf-in. [2.03 N-m] max. ± 2 [.22]
Mounting Slots (4): .250 x .156 [6.35 x 3.96] Dia.

STYLE G



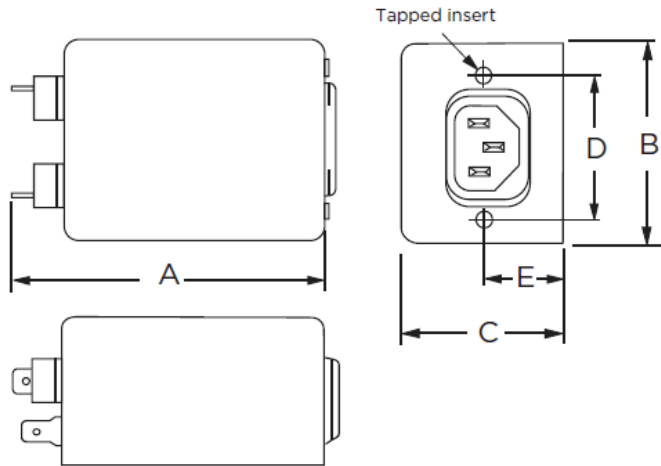
Typical Dimensions:

Terminals (5): 1/4-20, Torque 56 lbf-in. [6.32 N-m] max. ± 2 [.22]
Mounting Slots (4): .250 x .156 [6.35 x 3.96] Dia.

General Purpose RFI Power Line Filters

Case Styles

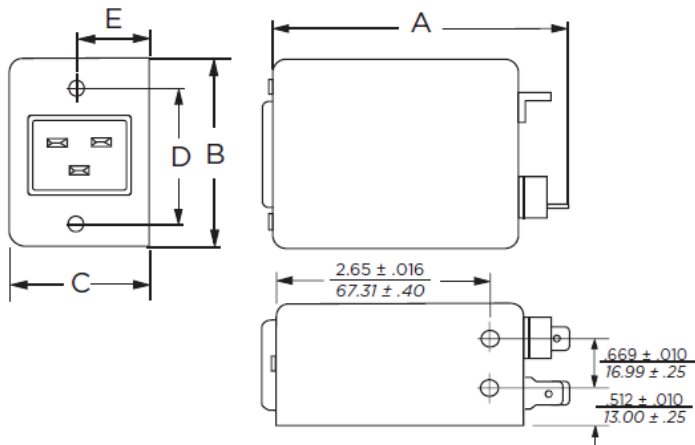
STYLE H



Typical Dimensions:

Load Terminals (2):	.250 [6.3] with .07 [1.8] Dia. hole
Ground Terminal (1):	.250 [6.3] with .07 x .16 [1.8 x 3.8] slot
Line Inlet (1):	IEC 60320-1 C14
K7 Tapped Inserts (2):	6-32 x 1/4
K7M Tapped Inserts (2):	M3 x .5

STYLE I



Typical Dimensions:

Load Terminals (2):	.250 [6.3] with .07 [1.8] Dia. hole
Ground Terminal (1):	.250 [6.3] with .07 x .16 [1.8 x 3.8] slot
Line Inlet (1):	IEC 60320-1 C20
K7 Tapped Inserts (2):	6-32 x 1/4
K7M Tapped Inserts (2):	M3 x .5

General Purpose RFI Power Line Filters

Mechanical Dimensions:

Model Number	A max	B max	C max	D $\frac{\pm .15}{\pm .38}$	E max
AMI-M11J-1-1/2	3.1"/78.7mm	2.07"/52.6mm	0.91"/23.1mm	2.375"/60.33mm	2.81"/74.1mm
AMI-M11J-3-1/2	1.81"/46.0mm	2.07"/52.6mm	0.91"/23.1mm	2.375"/60.33mm	2.81"/74.1mm
AMI-M11J-1-3/5	3.1"/78.7mm	2.07"/52.6mm	1.16"/29.5mm	2.375"/60.33mm	2.81"/74.1mm
AMI-M11J-3-3/5	1.81"/46.0mm	2.07"/52.6mm	1.16"/29.5mm	2.375"/60.33mm	2.81"/74.1mm
AMI-M11K-7/7M-3/5	3.21"/81.5mm	2.25"/57.2mm	1.28"/32.5mm	1.575"/40.01mm	0.63"/16.0mm
AMI-M11J-1-10	3.35"/85.1mm	2.07"/52.6mm	1.16"/29.5mm	2.375"/60.33mm	2.81"/71.4mm
AMI-M11J-3-10	2.07"/52.6mm	2.07"/52.6mm	1.16"/29.5mm	2.375"/60.33mm	2.81"/71.4mm
AMI-M11J-6-10	3.46"/87.9mm	2.07"/52.6mm	1.16"/29.5mm	2.375"/60.33mm	2.81"/71.4mm
AMI-M11K-7/7M-10	3.71"/94.2mm	2.25"/57.2mm	1.28"/32.5mm	1.575"/40.01mm	0.63"/16.0mm
AMI-M11J-1-20	3.35"/85.1mm	2.56"/65.0mm	1.53"/38.9mm	2.938"/74.63mm	3.35"/85.1mm
AMI-M11J-6-20	3.46"/87.9mm	2.56"/65.0mm	1.53"/38.9mm	2.938"/74.63mm	3.35"/85.1mm
AMI-M11K-7-20	3.8"/90.4mm	2.28"/54.6mm	1.78"/39.6mm	1.575"/74.63mm	.846"/85.8mm
AMI-M11J-6-30, AMI-M11J-6C-30	5.34"/135.6mm	3.38"/85.9mm	1.53"/38.9mm	3.75"/95.25mm	4.20"/106.7mm
AMI-M11J-6-40, AMI-M11L-6C-40	5.34"/135.6mm	3.38"/85.9mm	1.53"/38.9mm	3.75"/95.25mm	4.20"/106.7mm
AMI-M11M-6-60	6.0"/152.4mm	3.38"/85.9mm	1.53"/38.9mm	3.75"/95.25mm	4.20"/106.7mm