

# Analog Rocker – AR3



DTCs Analog Rockers have been developed to provide the reliability required in demanding environmental conditions such as multifunction grips, dashboards or armrest controls for heavy duty industrial applications.

The unique sensing design makes the rocker module an ideal proportional function solution for ‘off-road’ machinery.

DTCs Analog Rockers have been designed to be integrated into standard and custom designed grips, panels and electronic controls.

## Main Features

- Contactless sensing – Hall effect
- Life greater than 2 million cycles
- One sensor - optional second sensor for redundancy
- Integrated temperature compensation
- Short circuit protection

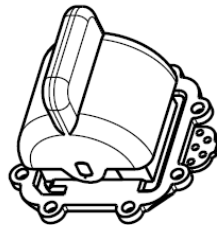
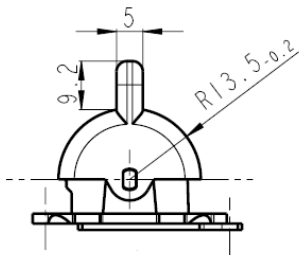
Electrical Data		
Supply Ratings	Voltage range DC current	8.5V ... 30V or 5.0 V ± 10% 50 mA at 24V
Voltage Output	Output 1 Output 2*	0.5V ... 4.5V 4.5V ... 0.5V
Total error		< 10%
Output current		max. 1 mA
Other electrical Characteristics	EMI	> 100 V/m
Mechanical Data		
Life		> 2 million cycles
Operating temperature		
- Storage		- 40°C to 85°C
- Working		- 35°C to 70°C
Operating force		4-6 N
Vertical load maximum		30 N
Protection Level		IP 65 (from above when mounted)
Rocker deflection angle		± 30°

\* for redundant version

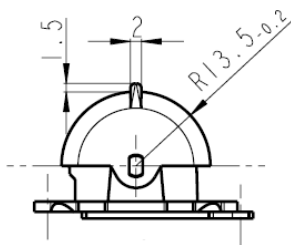
## Custom modifications

- Output characteristics
- Actuator colour

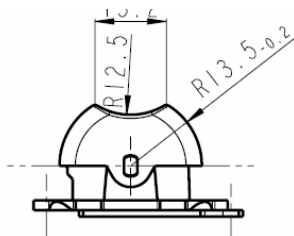
Ordering code		1	2	3	4	5	6	7	8	9
	<b>Example</b>	AR3S	01	GY	30/30	4N	0	V	2	00
<b>1 Type</b>	AR3 = analog rocker 3 S = varnished PCB N = non varnished PCB									
<b>2 Actuator Shape</b>	01 = long lever 02 = short lever 05 = thumb lever									
<b>3 Actuator Colour</b>	GY = grey									
<b>4 Actuator Angle</b>	30/30 = left 30° / right 30°									
<b>5 Operation Force</b>	4N = lever shape 01 5N = lever shape 02 6N = lever shape 05 <small>operation force depends on actuator shape</small>									
<b>6 Electrical supply</b>	0 = voltage 8.5 ... 30 V 1 = 5 V ± 10%									
<b>7 Output</b>	V = voltage									
<b>8 Sensors</b>	1 = 1 sensor 2 = 2 sensors (for redundancy)									
<b>9 Output Voltage Co</b>	00 = output 1 / 0.5V ... 4.5V; 1mA output 2 / 4.5V ... 0.5V; 1mA 02 = output 1 / 0.5V ... 4.5V; 1mA 03 = output 1 / 4.5V ... 0.5V; 1mA									



Module actuator shape 01

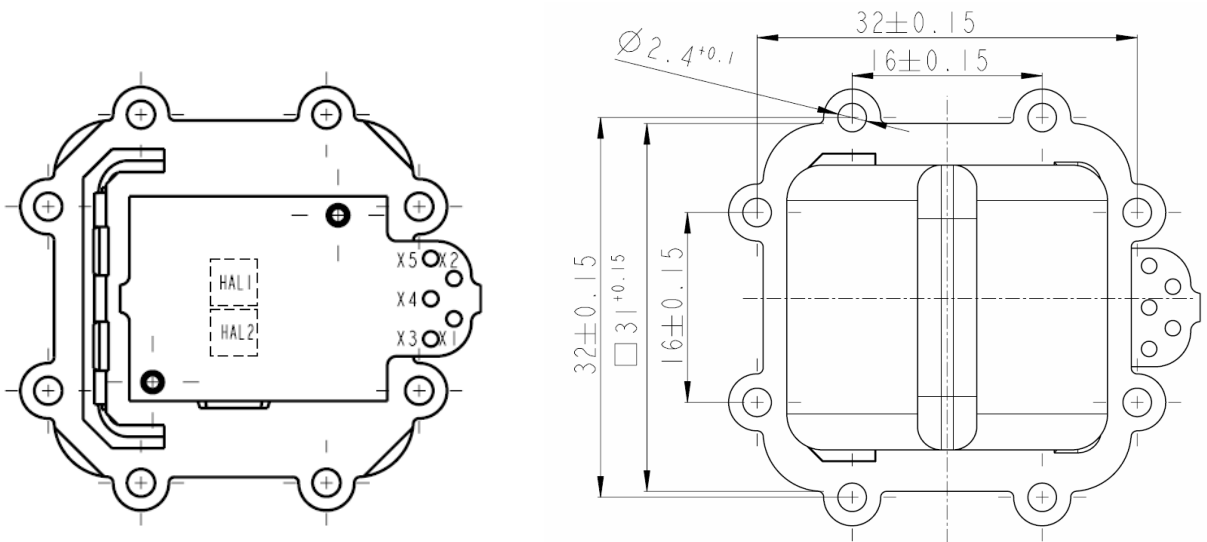
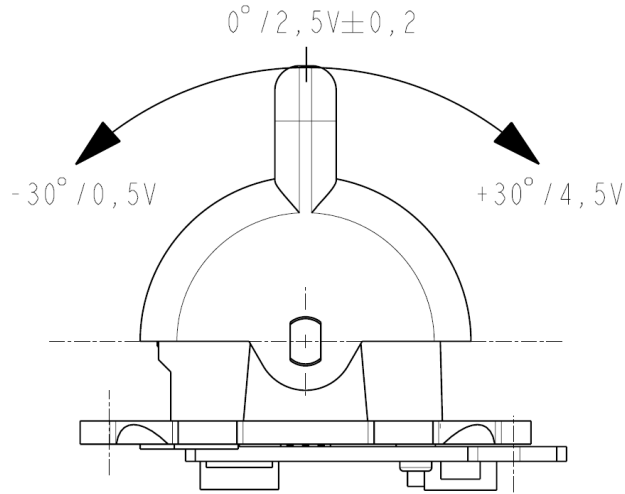


Module actuator shape 02



Module actuator shape 05

# Analog Rocker – AR3



## Pin assignment:

PIN	ALLOCATION	FUNCTION (8,5-30V)	FUNCTION (5V)
X5	OUT 1	OUTPUT 1 (HAL1)	OUTPUT 1 (HAL1)
X4	OUT 2	OUTPUT 2 (HAL2) *	OUTPUT 2 (HAL2) *
X3	V	RESERVED	5V ± 10%
X2	GND <sub>IN 1</sub>	REFERENCE GROUND	REFERENCE GROUND
X1	U <sub>BAT</sub>	VOLTAGE SUPPLY 8,5-30V	NOT CONNECTED

\* FOR REDUNDANT VERSION ONLY

**DeltaTech Controls – A CoActive Technologies Company - worldwide Facilities**

With sales offices and manufacturing facilities located worldwide, please visit our website at [www.deltatechcontrols.com](http://www.deltatechcontrols.com) for a complete listing and to find the office nearest to you.

**France**

2 Boulevard Michael Faraday  
Arlington Square, Batiment B  
Serris - F77716 Marne La Vallee Cedex 4  
France  
phone: + 33 160 24 51 51  
fax: + 33 (0)3 84 69 08 97

**Germany**

Holzhauser Strasse 26-32  
D-13509 Berlin  
Germany  
phone: + 49 30 43 999 0  
fax: + 49 30 43 999 203

**Hong Kong**

Unit 901, West Tower  
Shun Tak Center  
168-200 Connaught Road  
Central, Hong Kong  
phone: + 852 2732 2720  
fax: + 852 2732 2919

**USA**

5288 Valley Industrial Blvd. S  
Shakopee, MN 55379  
USA  
phone: + 1 952 403 7418  
fax: + 1 952 233 9707



No information and data contained in this publication shall be construed to create any liability on the part of DeltaTech Controls GmbH. Any new issue of this publication shall automatically invalidate and supersede any and all previous issues. Dimensions are subject to change without prior notice.

All Copyrights belong to DeltaTech Controls GmbH and CoActive Technologies.  
All other trademarks or registered trademarks are property of their respective owners.  
All data subject to change without notice. ©2007