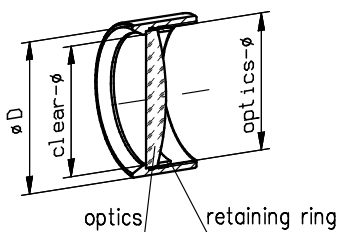


**Plankonvexlinsen, gefasst**  
**Plano-convex lenses, mounted**

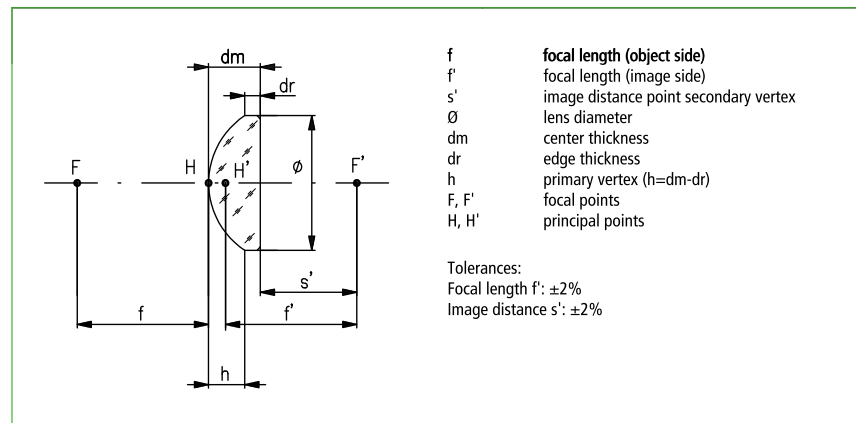
Fassung	Brennweite (mm)	Optik-Ø (mm)	Material	Außen-Ø D (mm)	Freier-Ø (mm)	dm (mm)	dr (mm)	$s'_{588\text{ nm}}$ (mm)	$f'_{546\text{ nm}}$ (mm)	C*	Part No.
Mount	Focal length (mm)	Ø optics (mm)	Material	Outer-Ø D (mm)	Clear Ø (mm)	dm (mm)	dr (mm)	$s'_{588\text{ nm}}$ (mm)	$f'_{546\text{ nm}}$ (mm)	C*	Part No.
☐	100	25.4	N-BK7	30	24	4	2.4	96.46	98.73	13	G063823000
☐	150	25.4	N-BK7	30	24	4	3	148.87	150.94	13	G063824000
☐	200	25.4	N-BK7	30	24	4	3.2	196.51	198.41	13	G063825000
☐	300	25.4	N-BK7	30	24	4	3.5	295.33	296.86	13	G063826000
☐	500	25.4	N-BK7	30	24	4	3.7	501.22	501.98	13	G063827000
☐	1000	25.4	N-BK7	30	24	4	3.8	981.21	980.2	13	G063828000
☐	40	31.5	N-BaK4	35	30	8.3	2	34.92	40.04	13	G063101000
☐	50	31.5	N-BaK4	35	30	6.7	2	45.99	50.05	13	G063102000
☐	60	31.5	N-BK7	35	30	6.3	2.1	57.48	61.4	13	G063051000
☐	80	31.5	N-BK7	35	30	5	1.9	77.14	80.14	13	G063103000
☐	100	31.5	N-BK7	35	30	4.5	2.1	98.3	100.88	13	G063052000
☐	150	31.5	N-BK7	35	30	4	2.4	148.33	150.41	13	G063104000
☐	200	31.5	N-BK7	35	30	3.2	2	199.21	200.57	13	G063105000
☐	300	31.5	N-BK7	35	30	3	2.2	299.23	300.09	13	G063106000

C\* Eine Tabelle mit weiteren Spezifikationen finden Sie zu Beginn dieses Kapitels.  
 Please find more specifications in the table at the beginning of this chapter.



**Plankonvexlinsen, gefasst, aus Quarzglas** **Plano-Convex Lenses, Mounted (Fused Silica)**

- In Fassungen kompatibel zur Mikrobank ☐ oder Nanobank ☒
- *Lens mounts fit to Microbench ☐ or Nanobench ☒*
- Unbeschichtet
- *Surfaces uncoated*
- Toleranzen: Brennweite  $f'$ :  $\pm 2\%$ , Bildentfernung  $s'$ :  $\pm 2\%$
- Tolerances: Focal length  $f'$ :  $\pm 2\%$ , Image distance  $s'$ :  $\pm 2\%$



Plankonvexlinsen, gefasst, aus Quarzglas  
*Plano-convex lenses, mounted, fabricated from fused silica*

Fassung	Brennweite (mm)	Optik-Ø (mm)	Außen-Ø D (mm)	Freier-Ø (mm)	dm (mm)	dr (mm)	$s'_{248\text{ nm}}$ (mm)	$f'_{248\text{ nm}}$ (mm)	$C^+$	Part No.
<i>Mount</i>	<i>Focal length (mm)</i>	<i>Ø optics (mm)</i>	<i>Outer-Ø D (mm)</i>	<i>Clear Ø (mm)</i>	<i>dm (mm)</i>	<i>dr (mm)</i>	<i><math>s'_{248\text{ nm}}</math> (mm)</i>	<i><math>f'_{248\text{ nm}}</math> (mm)</i>	<i><math>C^+</math></i>	<i>Part No.</i>
☒	12.5	8	16	7	2.4	1	10.91	12.5	4	G052120000
☒	15	10	16	9	2.9	1	12.83	14.75	8	G052121000
☒	20	12.5	16	11.5	3.5	1.3	17.35	19.67	8	G052122000
☒	25	12.5	16	11.5	3	1.3	22.78	24.77	8	G052123000
☒	30	18	25	17	4.4	1.5	27.59	30.51	8	G063338000
☒	40	22.4	25	21.4	5	1.5	35.38	38.69	12	G063050000
☒	50	22.4	25	21.4	4.1	1.5	46.7	49.42	12	G063339000
☒	60	22.4	25	21.4	3.7	1.6	57.13	59.58	12	G063340000
☒	80	22.4	25	21.4	3.1	1.5	77.4	79.45	12	G063341000
☒	100	22.4	25	21.4	2.8	1.5	97.45	99.31	12	G063342000
☒	200	22.4	25	21.4	2.1	1.5	195.33	196.73	12	G063343000
☒	40	31.5	35	30	9.5	2	33.65	39.95	12	G063111000
☒	50	31.5	35	30	7.5	2.1	45.14	50.11	12	G063112000
☒	60	31.5	35	30	6.4	2	55.75	60	12	G063113000
☒	80	31.5	35	30	5.2	2	76.55	80	12	G063114000
☒	100	31.5	35	30	4.5	2	96.99	99.97	12	G063115000
☒	140	31.5	35	30	3.3	1.5	136.09	138.21	12	G063366000
☒	200	31.5	35	30	3.3	2.1	198.03	200.22	12	G063116000
☒	300	31.5	35	30	3	2.2	298.66	300.65	12	G063117000
☒	400	31.5	35	30	2.1	1.5	390.96	392.35	12	G063367000

## A closer look

Alle relevanten Konstruktionsdaten wie Materialien, Radien und Mittendicken unserer Linsen finden Sie in der Datenbank unserer Optikdesignsoftware WinLens. Eine Freiversion dieses Programms steht Ihnen zum Download unter [winlens.de](http://winlens.de) bereit.



*All relevant specifications of the lenses, such as materials, radii and center thicknesses, are included in the database of the our WinLens optical design software. A freeware version of this program is available for download at [winlens.de](http://winlens.de).*