

PART NAME: STANDOFF

SCALE: 2:1

DATE: 12/9/16

DR. BY: JAM

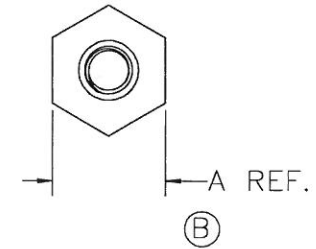
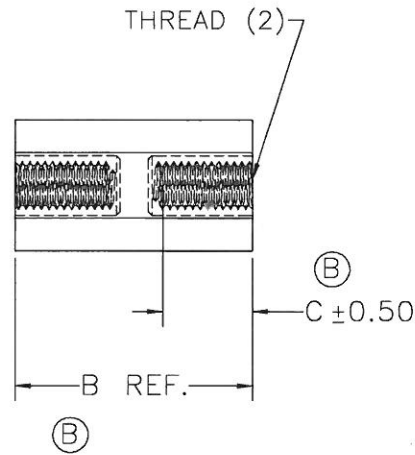


P/N: SH1007

THIS DRAWING IS THE PROPERTY OF DAVIES MOLDING COMPANY, IS SUBMITTED SOLELY AS A DESIGN OR ENGINEERING PROJECT WE ACCEPT NO RESPONSIBILITY WHATSOEVER FOR THE PRACTICAL APPLICATION OF THE PIECES MADE TO THIS DESIGN.

(B)

DAVIES PART #	THREAD	A	B	C
SH1007-A	M5	12	25	8
SH1007-B	M5	12	30	8
SH1007-C	M5	12	35	8
SH1007-D	M5	12	40	8
SH1007-E	M5	12	45	8
SH1007-F	M5	12	50	8
SH1007-G	M5	12	55	8
SH1007-H	M5	12	60	8
SH1007-J	M5	12	65	8
SH1007-K	M5	12	70	8
SH1007-L	M5	12	75	8
SH1007-M	M5	12	80	8
SH1007-N	M5	12	85	8
SH1007-P	M5	12	90	8
SH1007-Q	M5	12	95	8
SH1007-R	M5	12	100	8
SH1007-S	M5	12	105	8
SH1007-T	M5	12	110	8



- NOTES:
1. OPERATING TEMPERATURE: 125° C
 2. INSULATION RESISTANCE: 10000 MOHM @500 V DC
 3. DIELECTRIC STRENGTH: 11 KV DC

MATERIAL: NYLON
COLOR: BLACK

INTERNAL INSERT: BRASS

TOLERANCES UNLESS OTHERWISE SPECIFIED				
	B	"C" DIM WAS 9.5, CHANGED TO REF. DIMS.	JAM	5/10/22
	A	UPDATED TABLE	JAM	10/11/18
CHANGES				