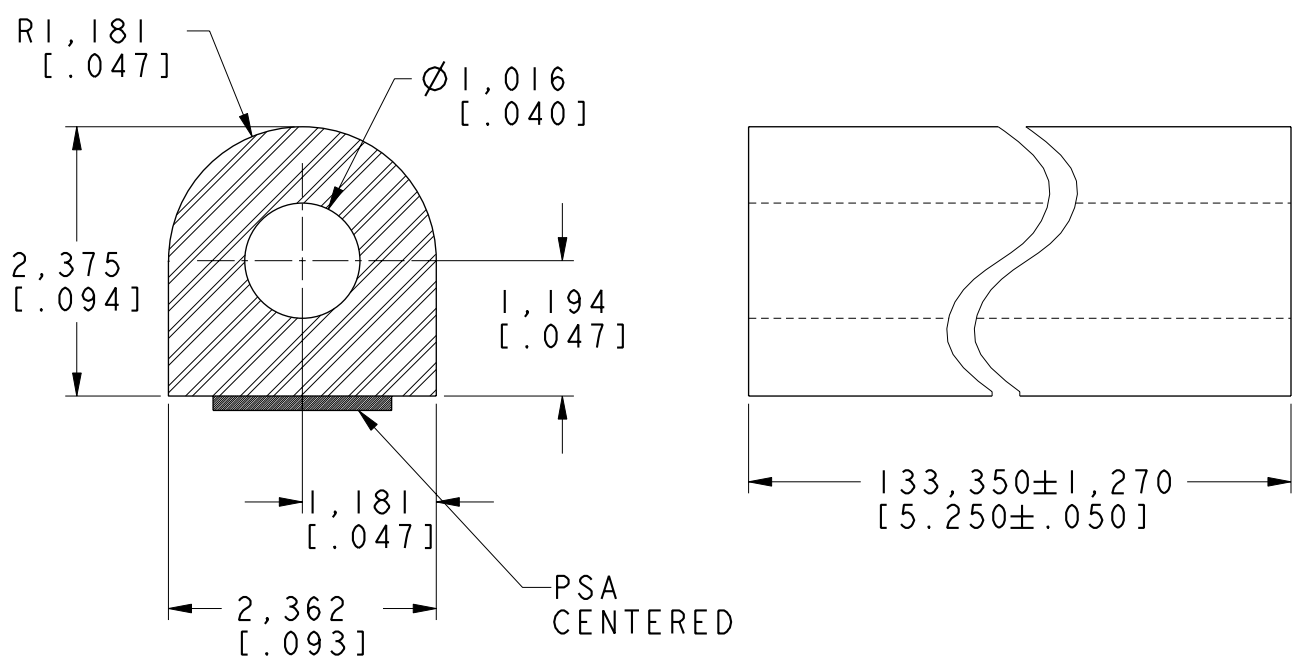


- NOTES:
 1. PACKAGING: PARTS PACKED AND SEALED IN PLASTIC BAGS.
 2. IDENTIFICATION: MARK EACH BAG WITH PART NO. QUANTITY, DATE CODE AND LAIRD FED IDENT. NO.



MATERIAL "XX"	TOLERANCES NOT SHOWN			DRAWN BY:	DATE:
	DEC 2 PL'S ±	---		SDH	10/23/07
ECE 84 SIL/Ag/Ni	DEC 3 PL'S ±	.127 [.005]	DELAWARE WATER GAP PENNSYLVANIA	CHECKED:	DATE:
	ANGULAR	± 3°		EWS	10/24/07
	THIRD ANGLE PROJECTION		APPROVED:	DATE:	
	UNITS: MM [INCH]	SCALE: 15:1	JNS	10/24/07	
CROSS SECTION AREA: .0064 IN ²			CUSTOMER LOCKHEED MARTIN		
CAD MAINTAINED DRAWING. MANUAL CHANGES UNAUTHORIZED. ©			REF. DWG. NO.		
			DWG. NO. 8566-0191-84		REV 01
			SHEET 1 OF 1		