

## Universal module - UM-2KS50/UNI/CS - 2319427

Please be informed that the data shown in this PDF Document is generated from our Online Catalog. Please find the complete data in the user's documentation. Our General Terms of Use for Downloads are valid (<http://phoenixcontact.com/download>)



Universal module for connecting to up to 32 channel digital Yokogawa cards, 1:1 connection of the Yokogawa system connector on screw terminal block connection.



### Key Commercial Data

|                                      |           |
|--------------------------------------|-----------|
| Packing unit                         | 1 STK     |
| Minimum order quantity               | 20 STK    |
| Weight per Piece (excluding packing) | 369.000 g |
| Custom tariff number                 | 85369010  |
| Country of origin                    | Germany   |

### Technical data

#### Dimensions

|        |        |
|--------|--------|
| Width  | 140 mm |
| Height | 126 mm |
| Depth  | 65 mm  |

#### Ambient conditions

|   |                  |
|---|------------------|
| Ambient temperature (operation)         | -20 °C ... 50 °C |
| Ambient temperature (storage/transport) | -20 °C ... 70 °C |

#### General

|                                 |                                       |
|---------------------------------|---------------------------------------|
| Max. perm. operating voltage    | 24 V DC $\pm$ 10 %                    |
| Max. perm. current (per branch) | 100 mA                                |
| Mounting position               | any                                   |
| Designation                     | Air clearances and creepage distances |
| Standards/regulations           | DIN EN 50178                          |

# Universal module - UM-2KS50/UNI/CS - 2319427

## Technical data

### General

|                      |    |
|----------------------|----|
| Degree of pollution  | 2  |
| Overvoltage category | II |

### Connection data for connection 1

|                                  |   |
|----------------------------------|---|
| Connection name                  | Field level                                 |
| Connection method                | Screw connection                            |
| Conductor cross section solid    | 0.2 mm <sup>2</sup> ... 4 mm <sup>2</sup>   |
| Conductor cross section flexible | 0.2 mm <sup>2</sup> ... 2.5 mm <sup>2</sup> |
| Conductor cross section AWG      | 24 ... 12                                   |

### Connection data for connection 2

|                       |  |
|-----------------------|--|
| Connection name       | Controller level   |
| Connection method     | Yokogawa KS-compatible                                       |
| Torque                | 0.5 Nm   |
| Number of connections | 2  |
| Number of positions   | 50   |
| Note                  | Usable system cables: Phoenix Contact YUC50, Yokogawa AKB331 |

### Supported controller

|                     |                          |
|---------------------|--------------------------|
| Controller          | YOKOGAWA CS3000 CentumVP |
| - suitable I/O card | ADV151                   |
|                     | ADV161                   |
|                     | ADV551                   |
|                     | ADV561                   |
| Controller          | YOKOGAWA STARDOM         |
| - suitable I/O card | NFDV151                  |
|                     | NFDV161                  |
|                     | NFDV551                  |
|                     | NFDV561                  |

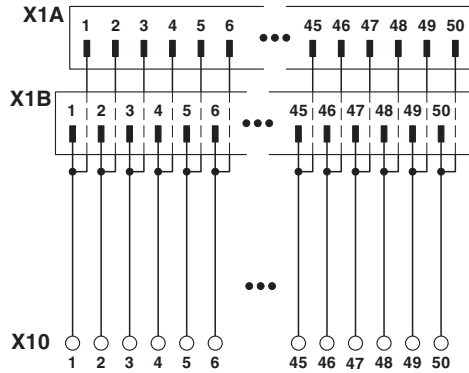
### Standards and Regulations

|                       |                                       |
|-----------------------|---------------------------------------|
| Designation           | Air clearances and creepage distances |
| Standards/regulations | DIN EN 50178                          |
| Degree of pollution   | 2                                     |
| Overvoltage category  | II                                    |

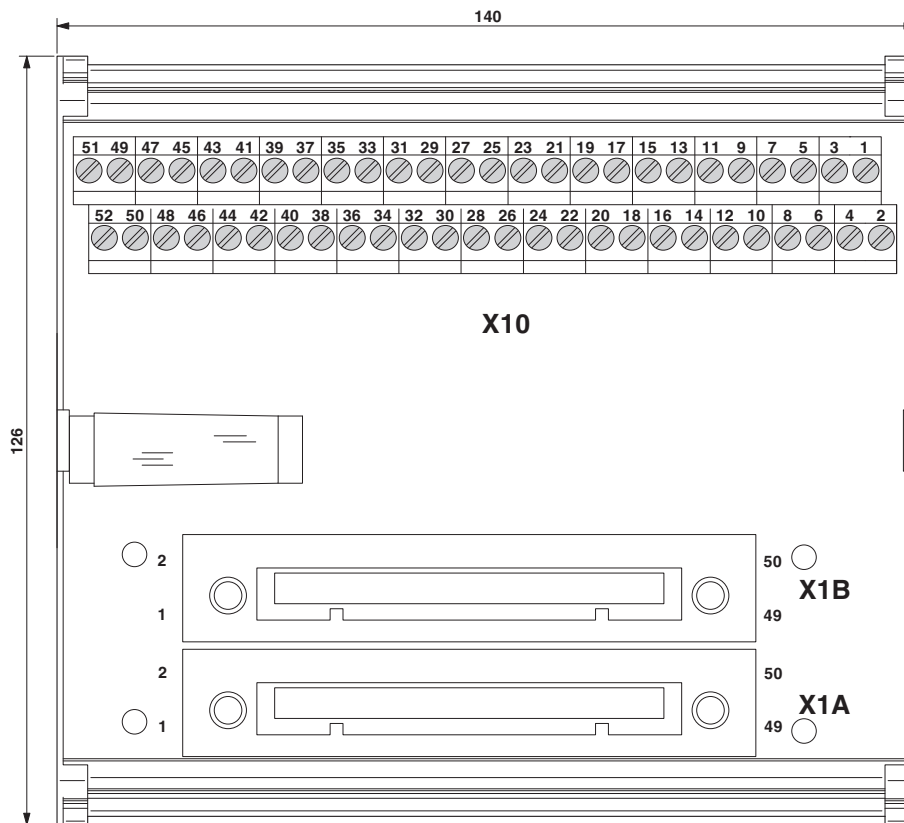
### Drawings

# Universal module - UM-2KS50/UNI/CS - 2319427

Circuit diagram



Dimensional drawing



## Classifications

eCI@ss

|            |          |
|------------|----------|
| eCI@ss 4.0 | 27250313 |
|------------|----------|

# Universal module - UM-2KS50/UNI/CS - 2319427

## Classifications

### eCl@ss

|            |          |
|------------|----------|
| eCl@ss 4.1 | 27250313 |
| eCl@ss 5.0 | 27250313 |
| eCl@ss 5.1 | 27250313 |
| eCl@ss 6.0 | 27069203 |
| eCl@ss 7.0 | 27069203 |
| eCl@ss 8.0 | 27141152 |
| eCl@ss 9.0 | 27141152 |

### ETIM

|          |          |
|----------|----------|
| ETIM 2.0 | EC001434 |
| ETIM 3.0 | EC001604 |
| ETIM 4.0 | EC001437 |
| ETIM 5.0 | EC002780 |

### UNSPSC

|               |          |
|---------------|----------|
| UNSPSC 6.01   | 30211824 |
| UNSPSC 7.0901 | 39121421 |
| UNSPSC 11     | 39121421 |
| UNSPSC 12.01  | 39121421 |
| UNSPSC 13.2   | 39121421 |

## Accessories

### Accessories

#### Front adapter

Front adapters - FLK 50-PA/EZ-DR/KS/ 100/YUC - 2900991



Cast front adapter with attached round cable and a 50-pos. socket strip injection-molded on both sides for the connection of Yokogawa controllers. Cable length: 1.0 m

Front adapters - FLK 50-PA/EZ-DR/KS/ 200/YUC - 2314299



Cast front adapter with attached round cable and a 50-pos. socket strip injection-molded on both sides for the connection of Yokogawa controllers. Cable length: 2.0 m

## Universal module - UM-2KS50/UNI/CS - 2319427

### Accessories

---

#### Front adapters - FLK 50-PA/EZ-DR/KS/ 300/YUC - 2314309



Cast front adapter with attached round cable and a 50-pos. socket strip injection-molded on both sides for the connection of Yokogawa controllers. Cable length: 3.0 m

---

#### Front adapters - FLK 50-PA/EZ-DR/KS/ 400/YUC - 2314312



Cast front adapter with attached round cable and a 50-pos. socket strip injection-molded on both sides for the connection of Yokogawa controllers. Cable length: 4.0 m

---

#### Front adapters - FLK 50-PA/EZ-DR/KS/ 500/YUC - 2321499



Cast front adapter with attached round cable and a 50-pos. socket strip injection-molded on both sides for the connection of Yokogawa controllers. Cable length: 5.0 m

---

#### Front adapters - FLK 50-PA/EZ-DR/KS/ 600/YUC - 2314927



Cast front adapter with attached round cable and a 50-pos. socket strip injection-molded on both sides for the connection of Yokogawa controllers. Cable length: 6.0 m

---

#### Front adapters - FLK 50-PA/EZ-DR/KS/ 700/YUC - 2321509



Cast front adapter with attached round cable and a 50-pos. socket strip injection-molded on both sides for the connection of Yokogawa controllers. Cable length: 7.0 m

---

## Universal module - UM-2KS50/UNI/CS - 2319427

### Accessories

#### Front adapters - FLK 50-PA/EZ-DR/KS/ 800/YUC - 2314930



Cast front adapter with attached round cable and a 50-pos. socket strip injection-molded on both sides for the connection of Yokogawa controllers. Cable length: 8.0 m

---

#### Front adapters - FLK 50-PA/EZ-DR/KS/ 900/YUC - 2321512



Cast front adapter with attached round cable and a 50-pos. socket strip injection-molded on both sides for the connection of Yokogawa controllers. Cable length: 9.0 m

---

#### Front adapters - FLK 50-PA/EZ-DR/KS/1000/YUC - 2314325



Cast front adapter with attached round cable and a 50-pos. socket strip injection-molded on both sides for the connection of Yokogawa controllers. Cable length: 10.0 m

---

#### Front adapters - FLK 50-PA/EZ-DR/KS/1100/YUC - 2321389



Cast front adapter with attached round cable and a 50-pos. socket strip injection-molded on both sides for the connection of Yokogawa controllers. Cable length: 11.0 m

---

#### Front adapters - FLK 50-PA/EZ-DR/KS/1200/YUC - 2321525



Cast front adapter with attached round cable and a 50-pos. socket strip injection-molded on both sides for the connection of Yokogawa controllers. Cable length: 12.0 m

---

## Universal module - UM-2KS50/UNI/CS - 2319427

### Accessories

#### Front adapters - FLK 50-PA/EZ-DR/KS/1300/YUC - 2321392



Cast front adapter with attached round cable and a 50-pos. socket strip injection-molded on both sides for the connection of Yokogawa controllers. Cable length: 13.0 m

---

#### Front adapters - FLK 50-PA/EZ-DR/KS/1400/YUC - 2321402



Cast front adapter with attached round cable and a 50-pos. socket strip injection-molded on both sides for the connection of Yokogawa controllers. Cable length: 14.0 m

---

#### Front adapters - FLK 50-PA/EZ-DR/KS/1500/YUC - 2314338



Cast front adapter with attached round cable and a 50-pos. socket strip injection-molded on both sides for the connection of Yokogawa controllers. Cable length: 15.0 m

---

#### Front adapters - FLK 50-PA/EZ-DR/KS/1600/YUC - 2321538



Cast front adapter with attached round cable and a 50-pos. socket strip injection-molded on both sides for the connection of Yokogawa controllers. Cable length: 16.0 m

---

#### Front adapters - FLK 50-PA/EZ-DR/KS/1700/YUC - 2321541



Cast front adapter with attached round cable and a 50-pos. socket strip injection-molded on both sides for the connection of Yokogawa controllers. Cable length: 17.0 m

---

## Universal module - UM-2KS50/UNI/CS - 2319427

### Accessories

#### Front adapters - FLK 50-PA/EZ-DR/KS/1800/YUC - 2321554



Cast front adapter with attached round cable and a 50-pos. socket strip injection-molded on both sides for the connection of Yokogawa controllers. Cable length: 18.0 m

---

#### Front adapters - FLK 50-PA/EZ-DR/KS/1900/YUC - 2321567



Cast front adapter with attached round cable and a 50-pos. socket strip injection-molded on both sides for the connection of Yokogawa controllers. Cable length: 19.0 m

---

#### Front adapters - FLK 50-PA/EZ-DR/KS/2000/YUC - 2314503



Cast front adapter with attached round cable and a 50-pos. socket strip injection-molded on both sides for the connection of Yokogawa controllers. Cable length: 20.0 m

---

#### Front adapters - FLK 50-PA/EZ-DR/KS/2500/YUC - 2314516



Cast front adapter with attached round cable and a 50-pos. socket strip injection-molded on both sides for the connection of Yokogawa controllers. Cable length: 25.0 m

---

#### Front adapters - FLK 50-PA/EZ-DR/KS/3000/YUC - 2314529



Cast front adapter with attached round cable and a 50-pos. socket strip injection-molded on both sides for the connection of Yokogawa controllers. Cable length: 30.0 m

---



## Universal module - UM-2KS50/UNI/CS - 2319427

### Accessories

#### Front adapters - FLK 50-PA/EZ-DR/KS/5000/YUC - 2318981



Cast front adapter with attached round cable and a 50-pos. socket strip injection-molded on both sides for the connection of Yokogawa controllers. Cable length: 50.0 m

---

#### Front adapters - FLK 50-PA/EZ-DR/HF/KS/ 100/YUC - 2904739



Cast front adapter with attached, halogen-free round cable and a 50-pos. socket strip injection-molded on both sides for the connection of Yokogawa controllers. Cable length: 1.0 m

---

#### Front adapters - FLK 50-PA/EZ-DR/HF/KS/ 200/YUC - 2904740



Cast front adapter with attached, halogen-free round cable and a 50-pos. socket strip injection-molded on both sides for the connection of Yokogawa controllers. Cable length: 2.0 m

---

#### Front adapters - FLK 50-PA/EZ-DR/HF/KS/ 300/YUC - 2904741



Cast front adapter with attached, halogen-free round cable and a 50-pos. socket strip injection-molded on both sides for the connection of Yokogawa controllers. Cable length: 3.0 m

---

#### Front adapters - FLK 50-PA/EZ-DR/HF/KS/ 400/YUC - 2904742



Cast front adapter with attached, halogen-free round cable and a 50-pos. socket strip injection-molded on both sides for the connection of Yokogawa controllers. Cable length: 4.0 m

---

## Universal module - UM-2KS50/UNI/CS - 2319427

### Accessories

#### Front adapters - FLK 50-PA/EZ-DR/HF/KS/ 500/YUC - 2904636



Cast front adapter with attached, halogen-free round cable and a 50-pos. socket strip injection-molded on both sides for the connection of Yokogawa controllers. Cable length: 5.0 m

---

#### Front adapters - FLK 50-PA/EZ-DR/HF/KS/ 600/YUC - 2904743



Cast front adapter with attached, halogen-free round cable and a 50-pos. socket strip injection-molded on both sides for the connection of Yokogawa controllers. Cable length: 60.0 m

---

#### Front adapters - FLK 50-PA/EZ-DR/HF/KS/ 700/YUC - 2904744



Cast front adapter with attached, halogen-free round cable and a 50-pos. socket strip injection-molded on both sides for the connection of Yokogawa controllers. Cable length: 7.0 m

---

#### Front adapters - FLK 50-PA/EZ-DR/HF/KS/ 800/YUC - 2904745



Cast front adapter with attached, halogen-free round cable and a 50-pos. socket strip injection-molded on both sides for the connection of Yokogawa controllers. Cable length: 8.0 m

---

#### Front adapters - FLK 50-PA/EZ-DR/HF/KS/ 900/YUC - 2904746



Cast front adapter with attached, halogen-free round cable and a 50-pos. socket strip injection-molded on both sides for the connection of Yokogawa controllers. Cable length: 9.0 m

---

## Universal module - UM-2KS50/UNI/CS - 2319427

### Accessories

Front adapters - FLK 50-PA/EZ-DR/HF/KS/1000/YUC - 2904637



Cast front adapter with attached, halogen-free round cable and a 50-pos. socket strip injection-molded on both sides for the connection of Yokogawa controllers. Cable length: 10.0 m

---

Front adapters - FLK 50-PA/EZ-DR/HF/KS/1500/YUC - 2904638



Cast front adapter with attached, halogen-free round cable and a 50-pos. socket strip injection-molded on both sides for the connection of Yokogawa controllers. Cable length: 15.0 m

---

Front adapters - FLK 50-PA/EZ-DR/HF/KS/2000/YUC - 2904487



Cast front adapter with attached, halogen-free round cable and a 50-pos. socket strip injection-molded on both sides for the connection of Yokogawa controllers. Cable length: 20.0 m

---

Front adapters - FLK 50-PA/EZ-DR/HF/KS/2500/YUC - 2904639



Cast front adapter with attached, halogen-free round cable and a 50-pos. socket strip injection-molded on both sides for the connection of Yokogawa controllers. Cable length: 25.0 m

---

Front adapters - FLK 50-PA/EZ-DR/HF/KS/3000/YUC - 2904640



Cast front adapter with attached, halogen-free round cable and a 50-pos. socket strip injection-molded on both sides for the connection of Yokogawa controllers. Cable length: 30.0 m

---

## Universal module - UM-2KS50/UNI/CS - 2319427

### Accessories

#### Front adapters - FLK 50-PA/EZ-DR/HF/KS/3500/YUC - 2904641



Cast front adapter with attached, halogen-free round cable and a 50-pos. socket strip injection-molded on both sides for the connection of Yokogawa controllers. Cable length: 35.0 m

---

#### Front adapters - FLK 50-PA/EZ-DR/HF/KS/4000/YUC - 2904642



Cast front adapter with attached, halogen-free round cable and a 50-pos. socket strip injection-molded on both sides for the connection of Yokogawa controllers. Cable length: 40.0 m

---

#### Front adapters - FLK 50-PA/EZ-DR/HF/KS/4500/YUC - 2904643



Cast front adapter with attached, halogen-free round cable and a 50-pos. socket strip injection-molded on both sides for the connection of Yokogawa controllers. Cable length: 45.0 m

---

#### Front adapters - FLK 50-PA/EZ-DR/HF/KS/5000/YUC - 2904644



Cast front adapter with attached, halogen-free round cable and a 50-pos. socket strip injection-molded on both sides for the connection of Yokogawa controllers. Cable length: 50.0 m

---

### System cable

#### Cable - FLK-MIL50/EZ-DR/KS/ 200/YCS - 2314590



Round cable set for Yokogawa CS3000 CentumVP ADV561, ADV161 with 1 x IDC/FLK socket strip (50-position) on 1 x Yokogawa, KS compatible (50-position), Cable length: 2 m

---

## Universal module - UM-2KS50/UNI/CS - 2319427

### Accessories

#### Cable - FLK-MIL50/EZ-DR/KS/ 300/YCS - 2314781



Assembled shielded round cable for Yokogawa CS3000 CentumVP ADV561, ADV161 with 1 x IDC/FLK socket strip (50-position) on 1 x Yokogawa, KS compatible (50-position), Cable length: 3 m

---

#### Cable - FLK-MIL50/EZ-DR/KS/ 400/YCS - 2314794



Assembled shielded round cable for Yokogawa CS3000 CentumVP ADV561, ADV161 with 1 x IDC/FLK socket strip (50-position) on 1 x Yokogawa, KS compatible (50-position), Cable length: 4 m

---

#### Cable - FLK-MIL50/EZ-DR/KS/1000/YCS - 2314804



Assembled shielded round cable for Yokogawa CS3000 CentumVP ADV561, ADV161 with 1 x IDC/FLK socket strip (50-position) on 1 x Yokogawa, KS compatible (50-position), Cable length: 10 m

---

#### Cable - FLK-MIL50/EZ-DR/KS/1500/YCS - 2314817



Assembled shielded round cable for Yokogawa CS3000 CentumVP ADV561, ADV161 with 1 x IDC/FLK socket strip (50-position) on 1 x IDC/FLK socket strip (50-position), Cable length: 15 m

---

#### Cable - FLK-MIL50/EZ-DR/KS/2000/YCS - 2314820



Assembled shielded round cable for Yokogawa CS3000 CentumVP ADV561, ADV161 with 1 x IDC/FLK socket strip (50-position) on 1 x IDC/FLK socket strip (50-position), Cable length: 20 m

---

## Universal module - UM-2KS50/UNI/CS - 2319427

### Accessories

#### Cable - FLK-MIL50/EZ-DR/KS/3000/YCS - 2901018



Assembled shielded round cable for Yokogawa CS3000 CentumVP ADV561, ADV161 with 1 x IDC/FLK socket strip (50-position) on 1 x IDC/FLK socket strip (50-position), Cable length: 30 m

---

#### Cable - FLK-MIL50/EZ-DR/KS/3500/YCS - 2901019



Assembled shielded round cable for Yokogawa CS3000 CentumVP ADV561, ADV161 with 1 x IDC/FLK socket strip (50-position) on 1 x IDC/FLK socket strip (50-position), Cable length: 35 m

---

#### Cable - FLK-MIL50/EZ-DR/KS/4000/YCS - 2901020



Assembled shielded round cable for Yokogawa CS3000 CentumVP ADV561, ADV161 with 1 x IDC/FLK socket strip (50-position) on 1 x IDC/FLK socket strip (50-position), Cable length: 40 m

---

#### Cable - FLK-MIL50/EZ-DR/KS/8000/YCS - 2321868



Assembled shielded round cable for Yokogawa CS3000 CentumVP ADV561, ADV161 with 1 x IDC/FLK socket strip (50-position) on 1 x IDC/FLK socket strip (50-position), Cable length: 80 m